

A photograph of a modern, white, built-in closet system. The closet features multiple shelves, drawers, and a countertop. On the left, a yellow Louis Vuitton box and a red Cartier bag are on a shelf. The text "How to Measure Your Closet and Prepare for Installation" is overlaid in a handwritten style across the center of the image.

How to Measure Your Closet  
and  
Prepare for Installation

510 E Barnard St, Ste 38  
West Chester, PA 19382

610.431.3500 Ext. 105  
Michael@DiplomatClosetDesign.com

[DiplomatClosetDesign.com](http://DiplomatClosetDesign.com)

# How to Measure Your Closet

## Let's get started with the right tools!

1. **Tape Measure** (25 ft) and/or an electric measuring tool
2. **Speed Square or Combination Square** (Optional - yet extremely helpful determining whether the corners in your closet are square!)
3. **Angle Finder** (This is critical for closets with slanted ceiling to help you determine the angle of a dormered roofline)
4. **Paper and a pencil** – make sure to properly transcribe all your numbers as you sketch out your closet.



## Understanding two types of measurements:

1. **Hard Measurements:** For any wall that you plan to build across the entire length you will need to be very precise with your measurement. For wall-to-wall built-ins, you may want to consider deducting a quarter inch ( $-\frac{1}{4}$ " ) from the overall dimension. This will leave  $\frac{1}{8}$ " on either side of the built in. This allows for slight variations found in the existing walls. (Note: Rarely are any walls all perfectly square)-
2. **Soft Measurements:** For walls that you plan to have open space on one or both sides of the unit, your measurement will not need to be as precise. For this you will just want to take a rough measurement of the wall to know how wide you can design your unit. For this measurement you will not need the fraction of an inch, take your measurement and round down to the next closest whole number.





# Tips to Taking Accurate Closet Measurements



## Measuring the Width of Your Wall:

On each wall you want to take three measurements at three different height locations.

One up high,  
one in the middle,  
and one down low.

When transferring your measurement to the paper, you want to always use the smallest measurement from the three.

Example:

High: 96.25"    Middle: 96.37"    **Low: 96.125"**

## Measure from Floor to Ceiling:

The standard floor mount organization systems are 84 inches high and the standard wall mount organization systems are 73 inches high.

With an 8-foot ceiling (96") this will give you plenty of space to use the top shelf for additional storage.

However, you want to make a note of your ceiling height to know of any restrictions you may face with the height of your organization system. Basements and other locations may have lower ceiling heights.

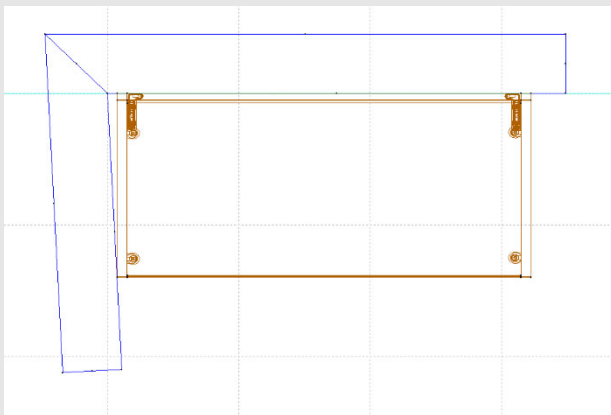


# Tips to Taking Accurate Closet Measurements

## Checking your inside corners: *Time to use that handy speed square!*

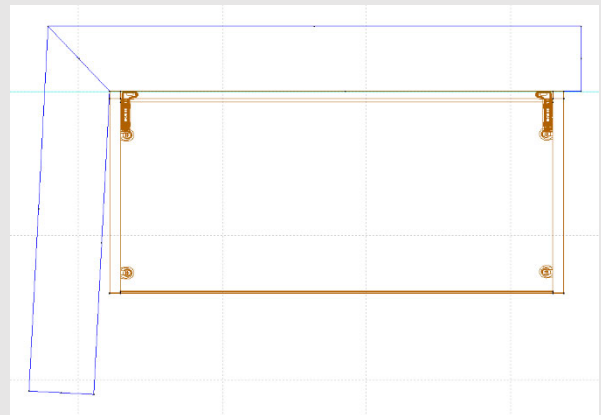
If the sidewalls angle in, then you will need to deduct from your overall wall measurement. Your measurement to the corner will be larger than the usable space due to the wall angling in. See below for an example.

*In this case you should reduce the overall wall measurement to accommodate the 14-inch-deep closet panel that will sit against the sidewall.*



If the sidewalls angle out, no extra deduction is needed. Be aware you will have a gap between the 14-inch-deep closet panel and the sidewall due to the wall not being square.

See below for example.

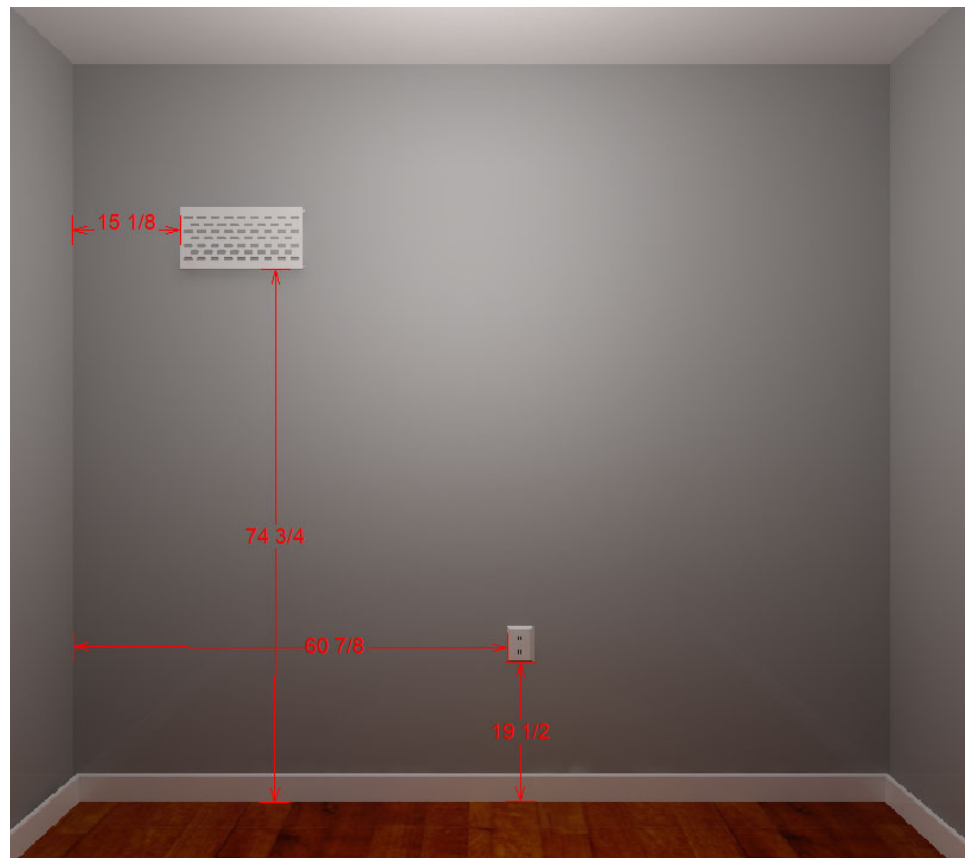


## Measure and Note Positions of all Obstacles:

Obstacles can include but are not limited to:

- ✓ Electrical Outlets
- ✓ Light Switches
- ✓ Windows
- ✓ Electrical Panels
- ✓ Access Panels
- ✓ Light Fixtures
- ✓ Wall/Ceiling/Floor Vents
- ✓ Trim
- ✓ Attic Access/Drop Down Steps

*Tip: For attic stairs you will want to make sure to measure where they drop down. The steps in the open position will need to clear the built-in panels for when they are in use.*

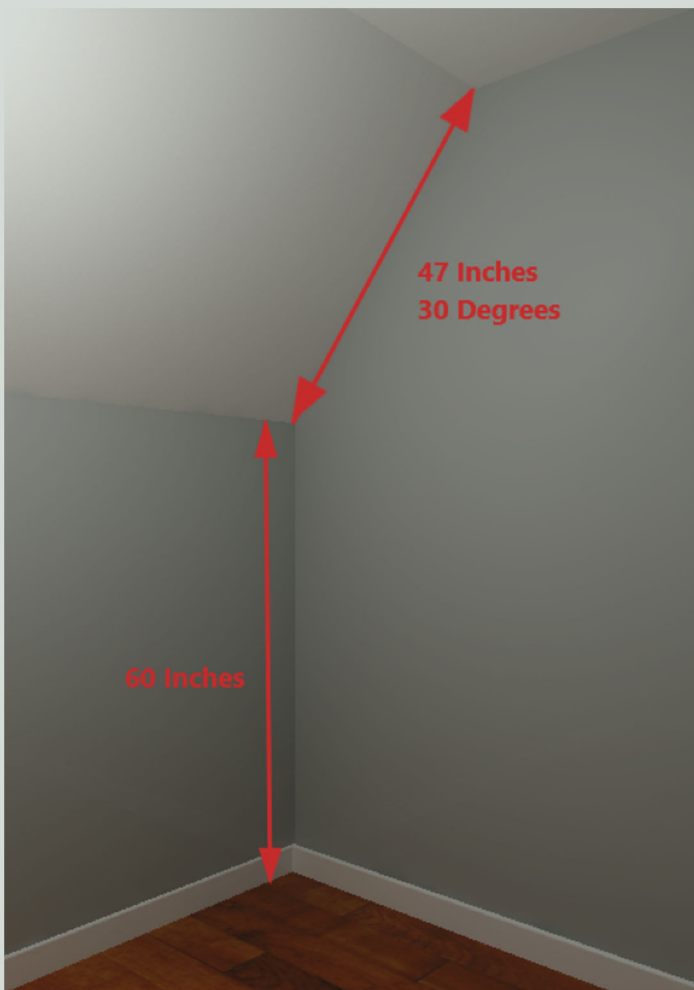


# Tips to Taking Accurate Closet Measurements

## Sloped Ceilings:

If you have a sloped ceiling, such as those in an attic closet, use your angle finder to find the degree of pitch. Include a sketch of the slope notating the distance from the bottom to the floor and the degree of angle to the top.

*Note: If ceiling heights vary for each wall due to the slope from an eave or other irregularity, you must note the ceiling height for each wall.*



## Baseboards:

Your organization systems will look best if you remove the baseboard that would be behind your floor mount units. However, you do not need to remove your baseboard molding if you do not wish to do so.

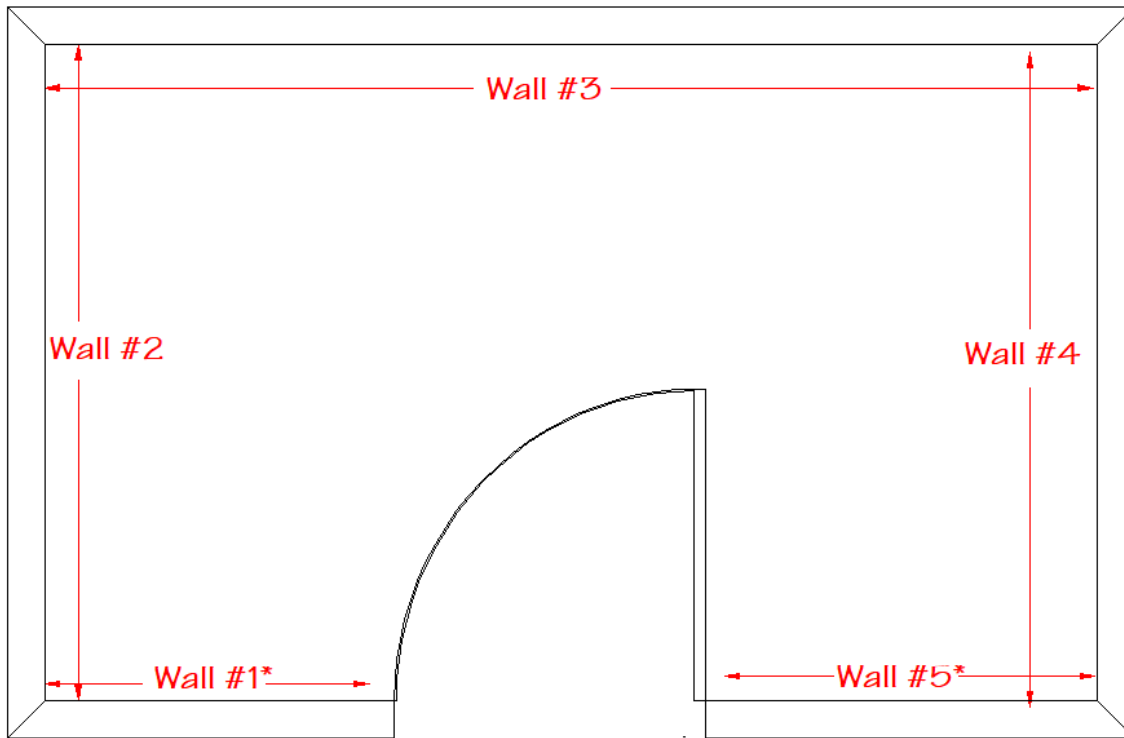
If you plan on leaving your baseboard, please be sure to take measurements for the height and thickness of your baseboard and shoe molding (if applicable). With those measurements we will notch the bottom of your partitions to set in place over your baseboard.



## Additional Pro Tips:

- ✓ **New Construction?** Be sure you take final measurements **after** final drywall has been installed. Do not order any material based on blueprint dimensions or measuring at the framing stage of the home.
- ✓ **MEASURE TWICE, ORDER ONCE!** We recommend that once you complete your measurements go around the room and measure everything a second time to check the accuracy of your drawings. Even the most seasoned pro makes a mistake every now and then!

# DIY Closet Measuring Guide



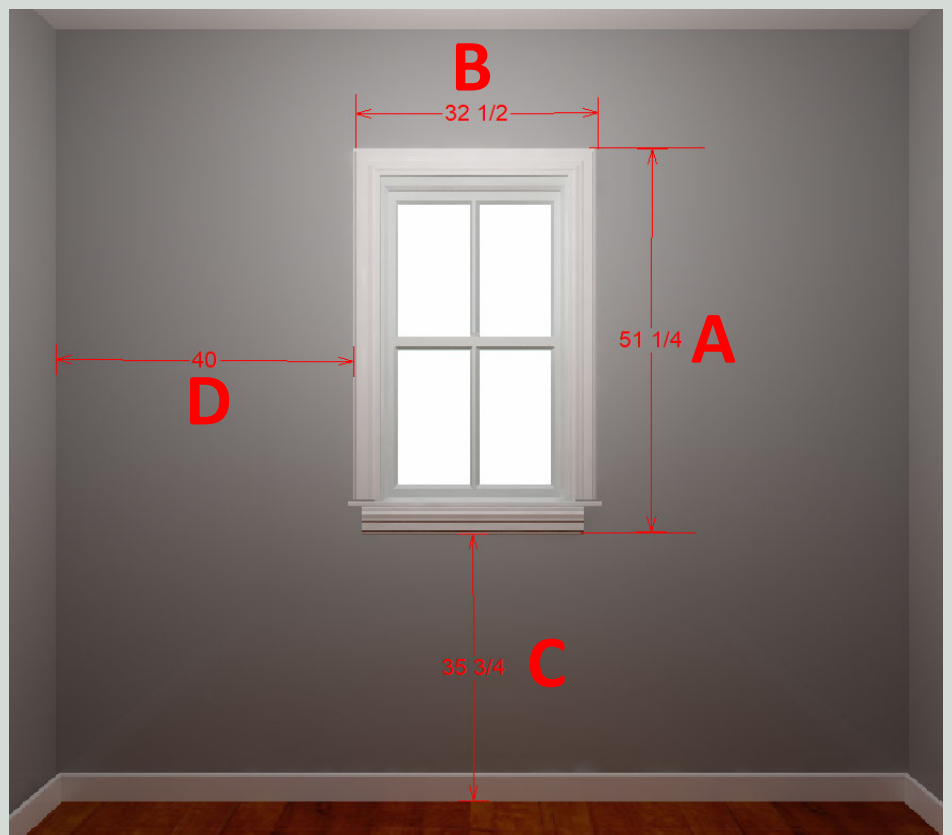
*\*Do Not Include Door Trim/Casing in Measurement*

## Measuring Checklist:

- ✓ Ceiling Height: \_\_\_\_\_"
- ✓ Note Door Swing
- ✓ All Closet Walls
- ✓ Baseboard Height
- ✓ Baseboard Thickness
- ✓ Any Obstacles

## Window Measurement Guide:

- ✓ Window (include casing/trim):
  - Overall Height: \_\_\_\_\_"
  - Overall Width: \_\_\_\_\_"
  - Distance off Floor: \_\_\_\_\_"
  - Distance from Left Wall: \_\_\_\_\_"



# How to Properly Remove Wire Shelving

## Tools You Will Need:



✓ Putty Knife

✓ Spackle

✓ Mini Pry Bar

✓ Hammer

